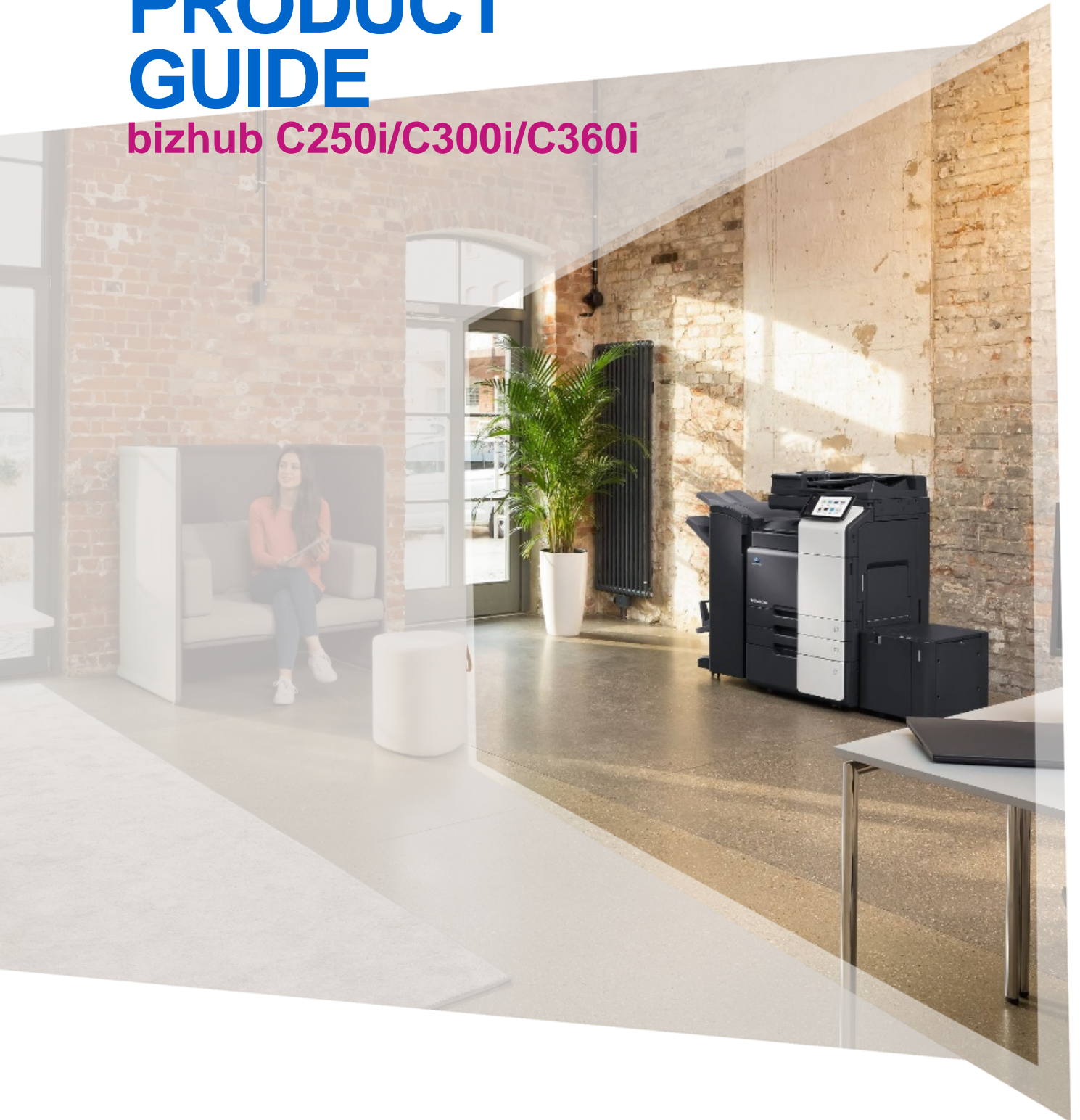




KONICA MINOLTA

PRODUCT GUIDE

bizhub C250i/C300i/C360i



Giving Shape to Ideas

Revision	Description
08.03.2019	Initial version
14.03.2019	Article numbers corrected (FS-536/SD, FK-514) Supported media updated

Since changes in technical features may occur, please note that the technical data provided in this product guide was issued in March 2019. We reserve the right to make changes to the technical design. Specifications refer to maximum performance under standard conditions. No guarantee is provided in relation to any of the data supplied.

Table of contents

Product basics.....	4
System dimensions	5
System configuration.....	8
System specifications.....	9
Copier specifications	17
Printer specifications (Standard controller)	19
Printer specifications (Fiery controller IC-420).....	22
Scanner specifications	24
Fax specifications.....	25
i-Fax specifications.....	26
IP-Fax specifications	26
Consumables	27
Article numbers and compatibility.....	29
Documentation	32
Driver DVD	33
Recommended media	34
Appendix	35
Finisher accessories & combination	35
Overview finisher functionality	35
Paper weights and sizes to be used	36
Konica Minolta Applications.....	36
What is delivered with the machine?	37

Product basics			
MODEL DEVELOPMENT CODE	Eagle 1	Eagle 2	Eagle 2.5
MODEL NAME	bizhub C360i	bizhub C300i	bizhub C250i
SUCCESSOR MODEL FOR	bizhub C368	bizhub C308	bizhub C258
ESTIMATED SALES START	05/2019		
INFOSOURCE SEGMENT	Col IV	Col IV	Col III
AVERAGE MONTHLY PAGE VOLUMES (exp. colour ratio: 30%)	33k	25k	16k
MACHINE LIFE	2 000k or 5 years	1 500k or 5 years	1 000k or 5 years
STANDARD COPY MODE (MONO & COLOUR)	4 pages/ job	3 pages/ job	3 pages/ job
STANDARD ORIGINAL DENSITY	5 % Mono & Colour		
SAFETY & ENVIRONMENT	MSDS@KONICAMINOLTA.CO.UK		

Details of Specifications

1. All specifications related to life times of the product and lifetimes of the consumables and expected output quality and reliability are based on A4 80 g/m² recommended media. *

2. Image quality is not guaranteed when using thick paper 3\4.

3. Using thick paper stock continuously will increase wear and tear on replacement parts and consumables.

4. Paper feeding reliability cannot be supported if the media is damp, curled or recycled.

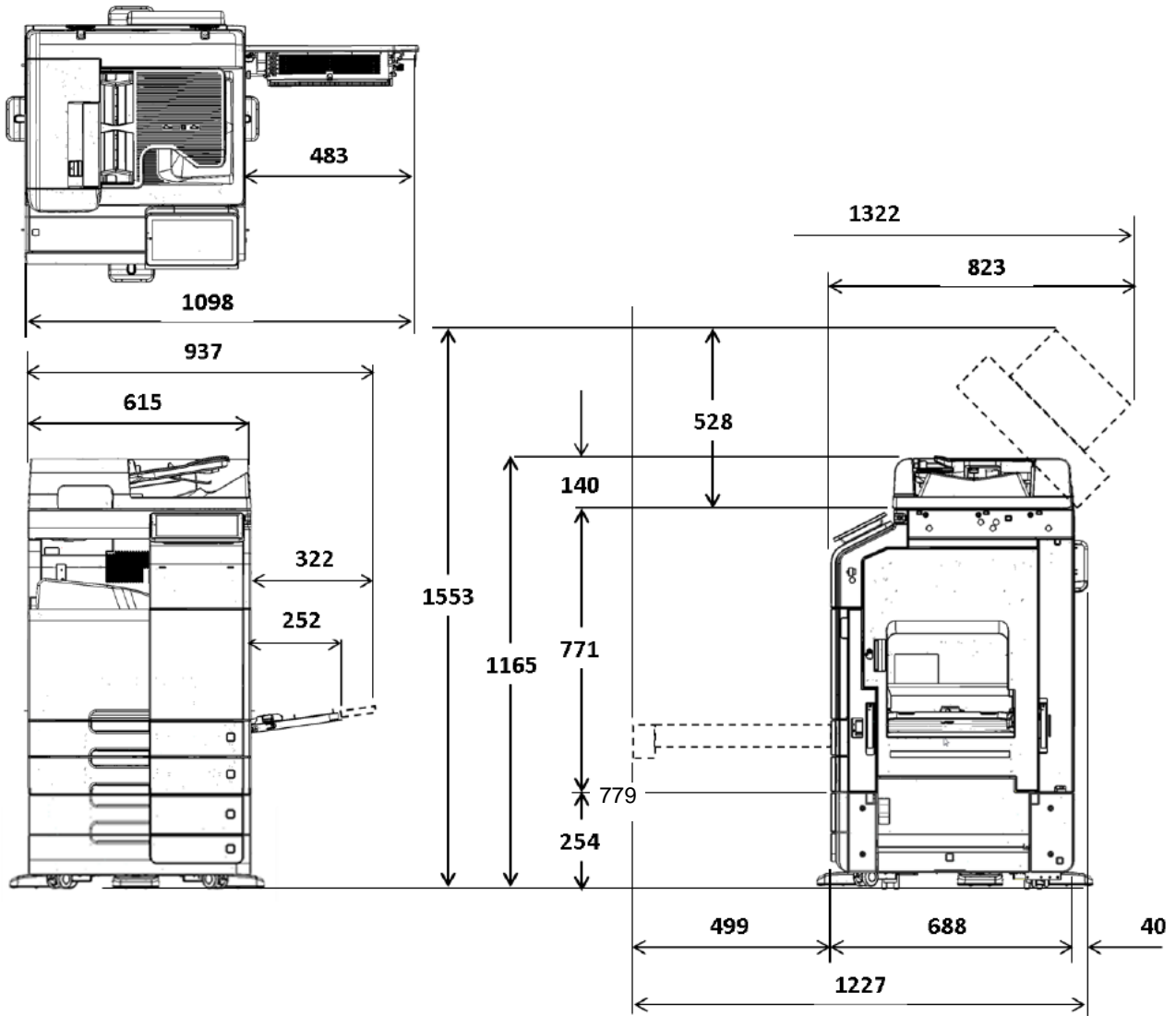
5. Only plain paper stock is reliably feed. Any coated stock is not supported.

6. SRA3 image area = 307 mm x 443 mm

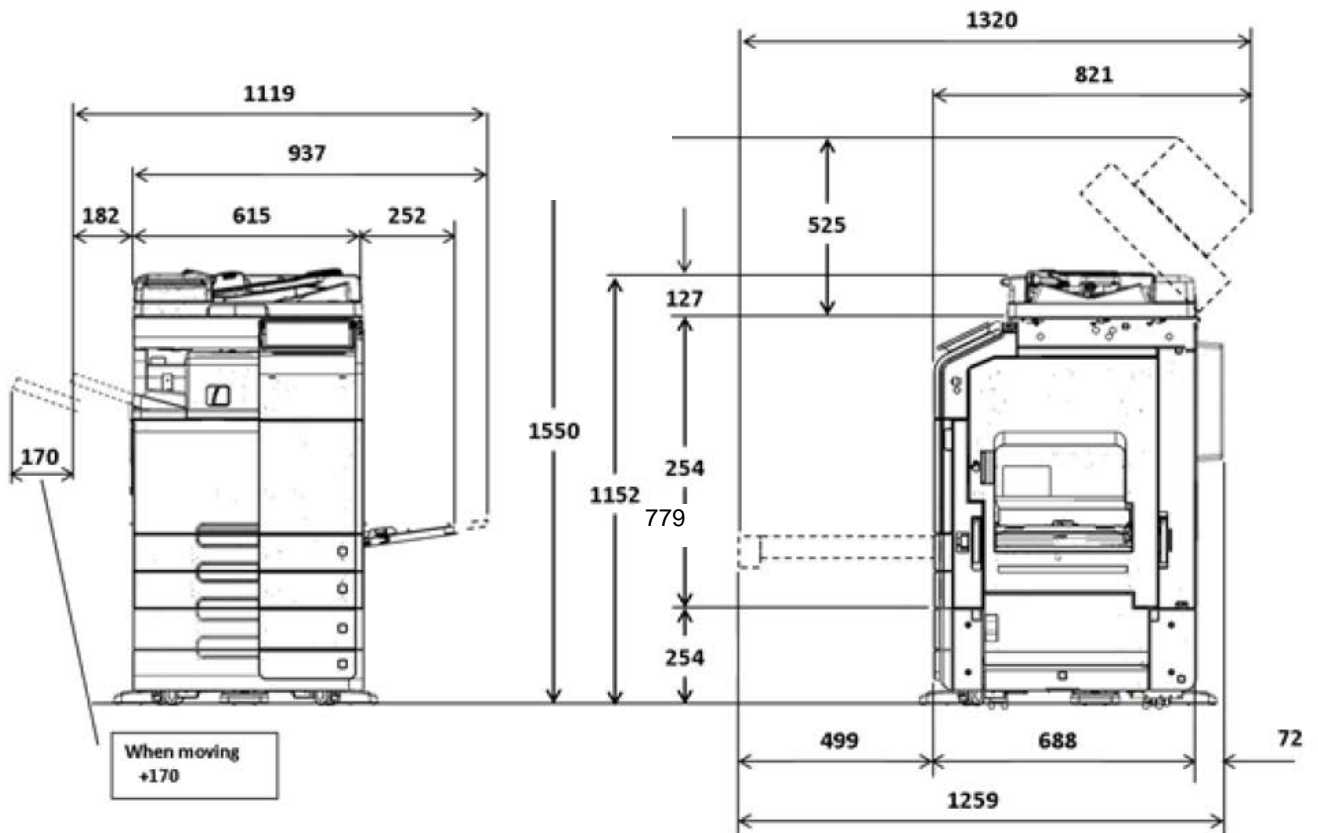
*** The recommended media is: Mondi Colour Copy A4\A3\SRA3 80 g/m² - 300 g/m².**

System dimensions

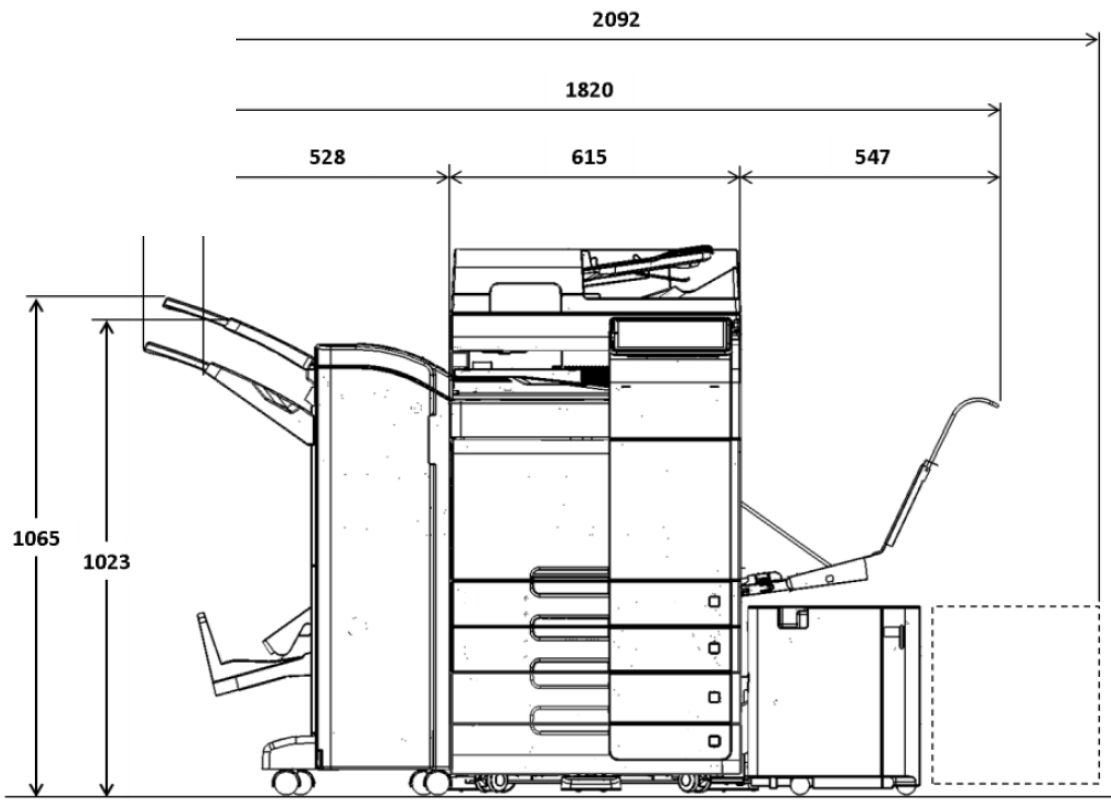
bizhub C360i (C300i/C250i) + PC-216 (PC-116/PC-416/DK-516) + DF-714



bizhub C360i (C300i/C250i) + DF-632 + PC-216 (PC-116/PC-416/DK-516) + FS-533 + CU-102



bizhub C360i/C300i/C250i + PC-216 (PC-116/PC-416/DK-516) + DF-714+MK-730 + FS-536SD + LU-302



System configuration

Configuration **bizhub C250i/C300i/C360i**

Will be added

System specifications

DF-632 Duplex type automatic document feeder

OPTION for bizhub C250i/C300i/C360i

Original size	A6S / max. A3
Original weights	35 - 128 g/m ² (simplex) 50 - 128 g/m ² (duplex/mix mode)
Tray capacity	100 sheets (80g/m ² , A4)
Feeding type	First page system
Feeding speed	Simplex mode: <ul style="list-style-type: none"> ▪ Copy: 55 originals/min. (600 dpi) [mono & colour] ▪ Scan: 80 originals/min. (300 dpi) [mono & colour] Duplex mode: <ul style="list-style-type: none"> ▪ Copy: 26 originals/min. (600 dpi) [mono & colour] ▪ Scan: 37 originals/min. (300 dpi) [mono & colour]
Scanner life	250k or 5 years (whichever comes first)
Dimensions (W x D x H)	611.2 x 503.6 x 127 mm
Weight	9.0 kg

DF-714 Dual scan document feeder

OPTION for bizhub C250i/C300i/C360i

Original size	A6S / max. A3
Original weights	35 - 163 g/m ² (simplex) 50 - 163 g/m ² (duplex) 50 - 128 g/m ² (mixed mode)
Tray capacity	100 sheets (80g/m ² , A4)
Feeding type	First page system, dual scan
Feeding speed	Simplex mode: <ul style="list-style-type: none"> ▪ Copy: 55 originals/min. (600 dpi) [mono & colour] ▪ Scan: 80 originals/min. (300 dpi) [mono & colour] ▪ Scan: 100 images/min (200 dpi) [mono & colour] Duplex mode: <ul style="list-style-type: none"> ▪ Copy: 110 images/min. (600 dpi) [mono & colour] ▪ Scan: 160 images/min. (300 dpi) [mono & colour] ▪ Scan: 200 images/min (200 dpi) [mono & colour]
Double feed detection	standard
Dimensions (W x D x H)	612 x 504 x 139 mm
Weight	12 kg

OC-511 Original cover

OPTION for bizhub C250i/C300i/C360i

Remark	Required if no document feeder is attached.
--------	---------------------------------------------

Standard paper cassettes

STANDARD

Capacity	1 tray: 500 sheets (universal) 2 tray: 500 sheets (universal)
Paper formats	1 tray: width: 90– 297 (A3) mm, length: 148– 431.8 mm, envelopes 2 tray: 139.7 – 320 (SRA3) mm, length: 182 – 457.2 mm
Paper weights	1 - 2 tray: 52 - 256 g/m2

PC-116 Paper cassette

OPTION for bizhub C250i/C300i/C360i

Capacity	1 x 500 sheets (80 g/m2)
Paper formats	A5 – A3
Paper weights	52 - 256 g/m2
Media type	Plain paper
Dimensions (W x D x H)	615 x 688 x 254 mm
Weight	22 kg

PC-216 Paper cassette

OPTION for bizhub C250i/C300i/C360i

Capacity	2 x 500 sheets (80 g/m2)
Paper formats	A5 – A3
Paper weights	52 - 256 g/m2
Media type	Plain paper
Dimensions (W x D x H)	615 x 688 x 254 mm
Weight	24 kg

PC-416 Paper cassettes

OPTION for bizhub C250i/C300i/C360i

Capacity	2,500 sheets (80 g/m2)
Paper formats	A4 crosswise
Paper weights	52 - 256 g/m2
Media type	Plain paper
Dimensions (W x D x H)	615 x 688 x 254 mm
Weight	23 kg

LU-302 Large capacity tray

OPTION for bizhub C250i/C300i/C360i

Capacity	3,000 sheets (80 g/m2) 1,300 sheets (256 g/m2)
Paper formats	A4 crosswise
Paper weights	52 - 256 g/m2

Dimensions (W x D x H)	367 x 528 x 405 mm
Weight	18 kg
Remark	Cannot be installed together with DK-516x.

DK-516x Copy desk

OPTION for bizhub C250i/C300i/C360i

Type	Rigid, metal with plastic door
Dimensions (W x D x H)	615 x 688 x 254 mm
Weight	13.2 kg

Manual bypass tray

STANDARD

Capacity	150 sheets
Paper weight	60 - 300 g/m ² (OHP, labels, banner paper, etc.)
Paper format	A6 lengthwise - SRA3 Width: 90 to 320 mm x Length: 139.7 to 1,200 mm

Duplex

STANDARD

Capacity	Stackless
Paper weight	52 - 256 g/m ²
Paper format	A5 - SRA3

FS-533 Inner finisher

OPTION

Functionality	Stacking, stapling, offset group/sort
Paper formats	A6 - SRA3, banner
Paper weights	52 – 300 g/m ²
Stack capacity	500 sheets A4 (52 – 90 g/m ²) 250 sheets A3 (52 – 90 g/m ²)
Stapling modes	Corner front/back, 2-point
Stapling capacity	50 sheets A4 (52 - 90 g/m ²), 30 sheets A3 (52 - 90 g/m ²), 2 sheets (91 - 209 g/m ² for cover pages)
Staples	SK-602
Dimensions (W x D x H)	472.5 x 583.5 x 194.7 mm
Weight	12 kg
Remark	One staple cartridge is packed to the finisher.
Additional options for FS-533	PK-519

**PK-519 Punch kit
(Europe/Sweden)**

OPTION for FS-533

Punch method	On-line, page by page, 2 or 4 holes for Europe, 4 holes for Sweden
Hole diameter	6.5 mm ± 0,5 mm
Paper formats	A3, B4, A4 L, B5 L (200 mm x 330 mm)
Paper weights	52 - 157 g/m ²
Dimensions (W x D x H)	110.2 x 483.5 x 203.2 mm
Weight	3.2 kg

**FS-536 Staple finisher (50 sheets)
FS-536SD Booklet finisher**

OPTION

Functionality	Non-sort, sort, group, staple, punch (additional option), fold (FS-536SD), offset group/sort
Tray capacity	100/200/3,000 sheets A4 (FS-536) 100/200/2,000 sheets A4 (FS-536SD) 100/200/1,500 sheets A3
Paper formats	A6 - SRA3, banner
Paper weights	52 – 300 g/m ²
Stack capacity	500 sheets A4 (52 – 90 g/m ²) 250 sheets A3 (52 – 90 g/m ²)
Stapling modes	Corner (front/back), centre 2-points, saddle stitch (FS-536SD)
Stapling capacity	50 sheets (52 - 90 g/m ²), 30 sheets (91 - 120 g/m ²), 15 sheets (121 - 209 g/m ²)
Stapling format	A3 - A5 lengthwise
Staples	SK-602
Remark	One staple cartridge is packed to the finisher.
Job separator function	Yes (finisher bridge unit is used for stacking)
Paper size for job separation function	A6 - SRA3
Capacity job separation function	Up to 100 sheets 52 – 90 g/m ² Up to 20 sheets > 90 g/m ²
Dimensions (W x D x H)	528 x 641 x 1,023 mm
Weight (FS-536/FS-536SD)	40 kg/64kg (incl. RU-513)
Additional options for FS-536/FS-543SD	PK-520
Standard for FS-536SD	SD-511
Remark	FS-536/SD always requires RU-513

RU-513 Relay Unit for FS-536/SD

OPTION FOR FS-536/SD

Functionality	Relay Unit for FS-536/FS-536SD
Remark	RU-513 is always required for FS-536/FS-536SD

**PK-520 Punch kit
(Europe/Sweden)**

OPTION for FS-536/SD

Punch method	On-line, page by page, 2 or 4 holes for Europe, 4 holes for Sweden
Hole diameter	6.5 mm ± 0,5 mm
Paper formats	A3, B4, A4 L, B5 L (200 mm x 330 mm)
Paper weights	52 - 300 g/m ²
Dimensions (W x D x H)	61 x 492 x 142 mm
Weight	1.8 kg

SD-511 Saddle kit unit

STANDARD for FS-536SD

Paper formats	A4 lengthwise / A3+ (311 x 457 mm) / SRA3
Paper weights	Centre staple: 52 - 90 g/m ² Half-fold: 52 - 209 g/m ² (more than 91 g/m ² sheets can be used only as cover sheet) Tri-fold: 52 - 90 g/m ²
Tray capacity	20 sets (1-3 pages), 5 sets (11-20 pages) Tri-fold: 30 sets with 1 page, 10 sets with 2 or 3 pages
Stapling modes	Centre parallel 2-points (booklet staple)
Stapling capacity for centre stapling	20 sheets (52 - 90 g/m ²), 19 sheets + cover sheet (19 sheets 90 g/m ² + 1 sheet 209 g/m ²)
Staples	SK-602
Dimensions (W x D x H)	210 x 556 x 547 mm
Weight	24 kg
Remark	One staple cartridge is packed to the saddle kit unit.

JS-506 Inner job separator

OPTION

Paper formats	Tray 1/2: A6 - SRA3 Banner and long length tray 2 only
Paper weights	52 - 300 g/m ²
Tray capacity	Tray 1: 100 sheets (90 g/m ²) Tray 2: 150 sheets (90 g/m ²)
Dimensions (W x D x H)	491.9 x 469.5 x 226.5 mm
Weight	2.5 kg
Remark	Can't be installed together with FS-533/536/SD. Supports offset group/sort.

KP-102 10-key-pad		OPTION
Functionality	Hardware 10 key pad for number entry instead of touch panel	
WT-506 Working table		OPTION
Functionality	To place authentication unit.	
FK-514 Fax board		OPTION
Specifications	Please refer to the chapter "Fax specifications"	
Remark	For a second fax line a second FK-514 is required.	
IC-420 Fiery controller		OPTION
Specifications	Please refer to the chapter "Fiery specifications"	
Remark	VI-516 and UK-115 are required in addition.	
VI-516 Video interface kit		OPTION
Remark	Required for installing IC-420	
UK-115 Upgrade kit		OPTION
Remark	Required for installing IC-420	
KH-102 Keyboard holder		OPTION
Functionality	To place the optional USB keyboard (keyboard is procured locally by countries).	
EK-608 USB host board		OPTION
Functionality	USB interface for connection of USB keyboard.	
EK-609 USB host board and Bluetooth		OPTION
Functionality	USB interface for connection of USB keyboard. Included Bluetooth technology for connection to mobile devices. Includes also speakers.	

IC card authentication unit **OPTION**

Functionality	Authentication by contact less IC card
Remark	For details on available card technologies please refer to the price list. MK-735 is required for inside installation, WT-506 is recommended for outside placement.

MK-735 Mount kit **OPTION**

Functionality	Installation kit for ID card reader (device integrated behind front cover).
---------------	-----------------------------------------------------------------------------

AU-102 Biometric authentication unit **OPTION**

Functionality	Authentication by finger vein scanner. WT-506 is recommended for placement.
---------------	-----------------------------------------------------------------------------

SC-509 Security kit **OPTION**

Functionality	Copy Guard and Password copy functionality (security pattern search)
Remark	2 x required if DF-714 is installed.

BT-C1e Banner tray **OPTION**

Function	To support multi banner feeding through manual bypass.
----------	--------------------------------------------------------

LK-102v3 i-Option license **OPTION**

Functionality	PDF encryption function, PDF/A 1b support, Meta data
---------------	------------------------------------------------------

LK-105v4 i-Option license **OPTION**

Functionality	OCR for searchable PDF, PPTX PDF/A 1a (LK-102v3 needed in addition for PDF/A 1a)
---------------	-------------------------------------------------------------------------------------

LK-106 i-Option license **OPTION**

Functionality	Printing of Barcode fonts
---------------	---------------------------

LK-107 i-Option license **OPTION**

Functionality	Printing of Unicode fonts
---------------	---------------------------

LK-108 i-Option license **OPTION**

Functionality	Printing of OCR fonts
---------------	-----------------------

LK-110v2 i-Option license **OPTION**

Functionality	Generation of various file formats (incl. DOCX, XLSX and PDF/A)
---------------	-----------------------------------------------------------------

LK-111 i-Option license		OPTION
Functionality	Native ThinPrint client	
LK-114 i-Option license		OPTION
Functionality	Serverless pull print	
LK-115v2 i-Option license		OPTION
Functionality	Enables Trusted Platform Module (TPM) to enhance security level	
LK-116 i-Option license		OPTION
Functionality	BitDefender Antivirus	
UK-221 Wireless LAN		OPTION
Functionality	Wifi model for both bizhub Remote Access and normal Wifi connection	
Remark	Required for bizhub Remote Access on Android and iOS and for wireless LAN Access Point Mode.	
SX-BR-4600 Wireless LAN		OPTION
Functionality	External LAN to Wifi box.	
SP-501 Stamp unit		OPTION for DF-632/DF-714
Functionality	Attached to DF-632/DF-714. Marks every fax original which is scanned for transmission.	
Spare TX marker stamp 2		OPTION for SP-501
Functionality	Spare stamp for SP-501	

Copier specifications

	bizhub C360i	bizhub C300i	bizhub C250i
WARM-UP TIME			
Main switch ON	Approx. 13 sec. in mono; 15 sec. in color		
FIRST COPY			
Colour (sec or less)	6.1	6.7	6.9
B/W (sec or less)	4.6	5.0	5.2
COPY SPEED			
A4 crosswise mono/colour plain paper (simplex/duplex)	36 ppm	30 ppm	25 ppm
A4 crosswise mono/colour thick paper (simplex/duplex)	18 ppm		
A4 crosswise mono/colour from bypass (simplex/duplex)	35 ppm	30 ppm	25 ppm
A3 mono/colour (simplex/duplex)	18 ppm	15 ppm	15 ppm
SCAN RESOLUTION	600 x 600 dpi		
PRINT RESOLUTION	1200 x 1200 dpi (reduced speed)		
MEMORY	8 GB std./max		
SSD	256 GB		
GRADATION	256		
ZOOM	25 - 400 %, adjustable in 0,1% steps		
MULTI COPY	1 - 9999, count up, interruption capability		
DENSITY ADJUSTMENT	Automatic, manual (9 steps)		
IMAGE LOSS	Leading edge: 4.2 mm or less (thin paper – 5 mm) Trailing edge: 3 mm or less Both sides: 3 mm or less Max. print area for SRA3 paper size: 307.1 x 437.1 mm; for 311.1 x 457.2 mm paper size: 302.7 x 448,7 mm		
POWER REQUIREMENT	220 - 240 V / 50/60 Hz		
MAX. POWER CONSUMPTION	< 1.58 kW		
COPIER DIMENSIONS (W x D x H)	615 x 688 x 779 mm (w/o OC-511)		
COPIER WEIGHT	Approx. 84 kg		

COPY FUNCTIONS	
2in1/4in1/8in1	yes
AMS/APS	yes
Book copy	yes
Booklet creation	yes
Chapter insertion	yes
Continuous number stamping	yes
Cover mode	yes
X/Y independent zoom	yes
Distribution numbering	yes
Edge / Frame / Fold line erase	yes
Image insertion	yes
Image repeat	yes
Image shift	yes
Image rotation	yes
Program job	yes
Non-image area erase	yes
OHP interleaving	yes
Overlay	yes
Page insertion	yes
Positive-negative-mode	yes
Date stamp / Page stamp	yes / yes
Electronic print / Rotation print out / Criss-cross sorting	yes / yes / yes
Program memory	yes (30)
Proof copy	yes
Separate scanning	yes
Stamp	yes

Watermark	yes
Gloss copy	yes
Enlarge display	yes
Account track / Department control	Yes (1,000)
User authentication	yes
Copy protection	yes

Printer specifications (Standard controller)

	bizhub C360i	bizhub C300i	bizhub C250i
CPU	Cortex A72 CPU Quad Core 1.8GHz		
PRINT SPEED			
A4 crosswise mono/colour (simplex/duplex)	36 ppm	30 ppm	25 ppm
A3 mono/colour (simplex/duplex)	18 ppm	15 ppm	15 ppm
PRINT RESOLUTION	1800 x 600 dpi equivalent / 1200 x 1200 dpi		
PDL	PCL6 (Ver. 3.0) Emulation, PCL5e/c Emulation, PostScript 3 Emulation (3016), XPS Ver. 1.0		
PRINT RAM	8 GB (shared among all MFP functions)		
PRINT HDD	256 GB SSD (shared among all MFP functions)		
FONTS			
PCL	80 x PCL AgfaMicro type		
PostScript3	137 x PS3: AgfaMicro typ		
INTERFACES			
10BaseT/100BaseT/1000 BaseT	yes (standard)		
USB 2.0	yes (standard)		
USB Host	yes (standard, for USB direct printing)		
NETWORK PROTOCOLS			
TCP/IP (IPv4, IPv6)	yes		

IPX/SPX (ND support)	yes
SMB (NetBEUI)	yes
LPD	yes
IPP 1.1	yes
SNMP	yes
HTTP	yes
SUPPORTED OS	
Windows 7 (32/64)	yes
Windows 8/8.1 (32/64)	yes
Windows 10 (32/64)	yes
Windows Server 2008 (32/64)	yes
Windows Server 2008 R2	yes
Windows Server 2012/R2	yes
Windows Server 2016	yes
Windows Server 2019	yes
Macintosh OS X 10.10	Yes (Mac OS 10.10 or later)
Unix	yes
Linux	yes
Citrix	yes
SAP	yes
PRINT FUNCTIONS	
Booklet creation	yes
Chapter insertion	yes
Continuous number stamping	yes
Cover mode	yes
Date stamp	yes
Distribution numbering	yes

Edge / Frame erase	yes
Image insertion	yes
Image repeat	yes (2 repeats)
Image shift	yes
Image rotation	yes
Job accounting	yes
Non-image area erase	yes
OHP interleaving	yes
Overlay	yes
Page insertion	yes
Page stamp	yes
Proof print	yes
Stamp	yes
Watermark	yes
Mixplex	yes
Tab print	no
Tandem print	no
N-up	yes (2, 4, 6, 9, 16)
Finishing	Sorting, stapling, punching, folding
Mobile Printing	
Airprint (iOS)	Yes
Mopria (Android)	Yes
Google Cloud Print (optional)	Yes
WiFi direct (optional)	Yes
Konica Minolta Print Service (Android)	Yes
Konica Minolta Mobile Print (iOS and Android)	Yes
NFC Authentication (Android)	Yes

Printer specifications (Fiery controller IC-420)

HARDWARE	
Type	Embedded
CPU	AMD GX-424CC 2.4GHz
Memory	4 GB
OS	Linux
Hard disk	500 GB
INTERFACES	
Ethernet	10BaseT/100BaseT/1000 BaseT (standard)
TokenRing	no
Parallel	no
USB	USB 2.0 (also utilised for firmware update)
DRIVER	
PostScript	Adobe PostScript 3 Ver. 3019
PCL	no (PCL interpreter implemented)
SOFTWARE UTILITIES	
Command WorkStation	yes
WebTools	yes
Scan Retrieval	yes
Backup and Restore	yes
Fiery VUE	yes
Scan Box Utility	yes
FreeForm	yes
Color Wise Pro Tools	yes (implemented in CWS)
TWAIN Scan	yes
Remote Scan	yes

Graphic Arts Light Features	yes (option), AutoTrapping, HotFolder
Color Profiler	yes (option)
Impose (Doc Builder Pro)	yes (option)
Konica Minolta MIB	yes (Standard MIB III + KM printer MIB)
CS Remote Care	yes
PageScope Web Connection	yes (routed to MFP via second LAN connection)
PROTOCOLS	
Ethernet	yes
Apple Talk	yes
TCP/IP (IPv4, IPv6)	yes
HTTP / HTTPS	yes
SSL/TSL for HTTPS	yes
SMB	yes
Port 9100 (bi-directional)	yes
IPP	yes
LDAP	yes
SNMP V3	yes
SUPPORTED OS	
Windows 7 (32/64)	yes
Windows 8 (32/64)	yes
Windows 10 (32/64)	yes
Windows Server 2008 (32/64)	yes
Windows Server 2008 R2 (64)	yes
Windows Server 2012/R2 (64)	yes
Windows Server 2019	yes
Macintosh OS X 10.x	yes
Unix	yes

	Linux	yes
PRINT FUNCTIONS		
	Load balancing	yes
	Archiving	yes
	Rip while print	yes
	Fast reprint	yes
	Mixed media	yes
	Accounting	yes
	Group printing	yes
	Secure printing	yes
OTHERS		
	Spot-on	standard (V2)
	Auto trap	option
	Hot folder	option
	Secure erase	option

Scanner specifications

SCAN FUNCTIONS		
	Scan-to-eMail	yes
	Scan-to-Me	yes
	Scan-to-SMB	yes
	Scan-to-Home	yes
	Scan-to-FTP	yes
	Scan-to-Box	yes
	Scan-to-USB	yes
	Scan-to-WebDAV	yes
	Scan-to-DPWS	yes

Network TWAIN scan	yes
SCAN SPEED	Up to 200 ipm (with optional dualscan feeder DF-714)
MAX. SCAN ORIGINAL SIZE	A3
SCAN RESOLUTION	Push: 200x200 / 300x300 / 400x400 / 600x600 dpi Pull: 100x100 / 200x200 / 300x300 / 400x400 / 600x600 dpi
SCAN FORMAT	TIFF, PDF, Compact PDF, JPEG, XPS, Compact XPS, PPTx, Searchable PDF, Searchable PPTX, Searchable PDF/A 1a & 1b, Encrypted PDF, Linearised PDF Outline PDF, Encrypted PDF and PDF/A
PROTOCOLS	TCP/IP (FTP, SMB, SMTP)
SUPPORTED OS	
Windows 7 (32/64)	yes
Windows 8.1 (32/64)	yes
Windows 10 (32/64)	yes
SEPARATE SCAN COUNTER	yes
SCANNER DRIVER	Network TWAIN driver, HDD TWAIN driver
FURTHER SCAN FEATURES	Multi-method send, authentication at the time of email send (SMTP authentication, POP before SMTP), S/MIME, annotation

Fax specifications

GENERAL INFORMATION	
Communication	Super G3
Compatible lines	Public switch telephone network, Private branch exchange, Fax communication line
Max. modem speed	2.4 - 33,6 kbps
Compression	MH, MR, MMR, JBIG
Sending paper size	Max. A3 (long length support: max. 1,000 mm)
Recording paper size	Max. A3 (long length support: max. 1,000 mm)
Transmission speed	Less than 2 sec. (A4, V.34, 33.6 kbps, JBIG)
Memory	Shared among all MFP functions
Number of abbr. dials	2,000
Number of program dials	400

Number of group dials	100
Sequential multiple station transmission	Max. 600

i-Fax specifications

GENERAL INFORMATION	
Colour capability	Supports colour i-Fax
Communication protocol	Transmission: SMTP Receiving: POP3, TCP/IP
Communication mode	Full mode
Original size	A3, B4, A4
Recording size	Max. A3 (max. long size original: 1,000 mm with ADF)
Interface	Ethernet 10Base-T/100Base-T/1000Base-T
Resolution	200x100 / 200x200 / 400x400 / 600x600 dpi
Format	Transmission: TIFF-S Receiving: TIFF-F Colour/Grey scale: TIFF (RFC3949 Profile-C)

IP-Fax specifications

GENERAL INFORMATION	
Protocol transmission	SMTP
Encoding system	MH, MR, MMR, JPEG
Sending paper size	Max. A3 (max. long size original: 1,000 mm with ADF)
Recording paper size	Max. A3
Interface	Ethernet 10Base-T/100Base-T/1000Base-T
Format	Transmission: TIFF-S Receiving: TIFF-F Colour/Grey scale: TIFF (RFC3949 Profile-C)
Remark	Optional fax kit FK-514 is required to utilise IP Address Fax

Consumables

TONER BLACK	
Name	TN328K (bizhub C250i/C300i/C360i)
Concept	Bottle system
Weight	547 g
Yield R&D	28k (5% coverage)
Standard Field Yield	28k (5% coverage)
Units per box	1 bottle
TONER COLOUR (CMY)	
Name	TN328C/M/Y (bizhub C250i/C300i/C360i)
Concept	Bottle system
Weight	498 g (YC), 519 g (M)
Yield R&D	28k (5% coverage)
Standard Field Yield	28k (5% coverage)
Units per box	1 bottle
DRUM UNIT BLACK	
Name	DR316K (bizhub C250i/C300i/C360i)
Yield R&D	170k (bizhub C250i) [3 pages/job] 225k (bizhub C300i) [3 pages/job] 225k (bizhub C360i) [4 pages/job]
Standard Field Yield	170k (bizhub C250i) [3 pages/job] 225k (bizhub C300i) [3 pages/job] 225k (bizhub C360i) [4 pages/job]
Units per box	1
DRUM UNIT COLOUR (CMY)	
Name	DR316 (bizhub C250i/C300i/C360i)
Yield R&D	65k (bizhub C250i) [3 pages/job] 90k (bizhub C300i) [3 pages/job] 105k (bizhub C360i) [4 pages/job]
Standard Field Yield	65k (bizhub C250i) [3 pages/job] 90k (bizhub C300i) [3 pages/job] 105k (bizhub C360i) [4 pages/job]
Units per box	1
DEVELOPER BLACK	

Name	DV315K (bizhub C250i/C300i/C360i)
Yield R&D	1 000k
Standard Field Yield	1 000k
Units per box	1
DEVELOPER COLOUR (CMY)	
Name	DV315C/M/Y (bizhub C250i/C300i/C360i)
Yield R&D	1 000k
Standard Field Yield	1 000k
Units per box	1
STAPLE CARTRIDGE	
Name	SK-602
Compatible finisher / saddle kit unit	FS-533/FS-536/FS-536SD
Quantity per sales unit	3 cartridges – 5,000 staples each
WASTE TONER BOX	
Name	WX-107
Yield	44k

Article numbers and compatibility

MACHINE	ARTICLE NUMBER	COMPATIBILITY
bizhub C250i	AA2M021	---
bizhub C300i	AA2K021	---
bizhub C360i	AA2J021	---
ACCESSORIES	ARTICLE NUMBER	COMPATIBILITY
DF-632 Duplex type automatic document feeder	AAYHWY1 *new	bizhub C250i/C300i/C360i
DF-714 Dual scan document feeder	AAMNWX1 *new	bizhub C250i/C300i/C360i
OC-511 Original cover	9967002050	bizhub C250i/C300i/C360i [and other MFP series]
PC-116 500-sheet paper feed cassette	AAV5WY1 *new	bizhub C250i/C300i/C360i
PC-216 2x500-sheet paper feed cassettes	AAV5WY2 *new	bizhub C250i/C300i/C360i
PC-416 2,500-sheet large capacity cassette	AAV5WY3 *new	bizhub C250i/C300i/C360i
LU-302 Large capacity tray	A87VWY2 *new	bizhub C250i/C300i/C360i (color change) [and other MFP series]
DK-516x Copy desk	9967008725 *new	bizhub C250i/C300i/C360i
FS-533 Inner finisher	A2YUWY2	bizhub C250i/C300i/C360i [and other MFP series]
PK-519 Punch kit (European version)	A3EUW22	FS-533
PK-519 Punch kit (Swedish version)	A3EUWG1	FS-533
FS-536 50-sheet staple finisher	A87GWY1	bizhub C250i/C300i/C360i [and other MFP series]
FS-536SD booklet finisher	A87GWYA	bizhub C250i/C300i/C360i [and other MFP series]
RU-513 Relay unit for FS-536/SD	A87JWY2	FS-536/FS-536SD
PK-520 Punch kit (European version)	A3ETW21	FS-536
PK-520 Punch kit (Swedish version)	A3ETWG1	FS-536
JS-506 Inner job separator	A2YVWY2	bizhub C250i/C300i/C360i [and other MFP series]
KP-102 10-key-pad	ACCJWY1 *new	bizhub C250i/C300i/C360i bizhub C3350i/C4050i
WT-506 Working table	A0W4WY3	bizhub C250i/C300i/C360i [and other MFP series]
FK-514 Fax board	A883022	bizhub C250i/C300i/C360i [and other MFP series]
IC-420 Fiery image controller	ACDEWY1 *new	bizhub C250i/C300i/C360i

VI-516 Video interface kit	ACDHWY1 *new	bizhub C250i/C300i/C360i
UK-115 Upgrade kit	ACDFWY1 *new	bizhub C250i/C300i/C360i
KH-102 Keyboard holder	A4NRWY1	bizhub C250i/C300i/C360i [and other MFP series]
EK-608 USB host board	A88AWY2	bizhub C250i/C300i/C360i [and other MFP series]
EK-609 USB host board + Bluetooth	A87DWY2	bizhub C250i/C300i/C360i [and other MFP series]
MK-735 Mount kit for IC card reader	A4NMWY1	bizhub C250i/C300i/C360i [and other MFP series]
AU-102 Biometric authentication	A0X9WY1	bizhub C250i/C300i/C360i [and other MFP series]
SC-509 Security kit	ACDKWY1 *new	bizhub C250i/C300i/C360i
BT-C1e Banner tray	9967001961	bizhub C250i/C300i/C360i [and other MFP series]
LK-102v3 i-Option license	A0PD026	bizhub C250i/C300i/C360i [and other MFP series]
LK-105v4 i-Option license	A0PD028	bizhub C250i/C300i/C360i [and other MFP series]
LK-106 i-Option license	A0PD029	bizhub C250i/C300i/C360i [and other MFP series]
LK-107 i-Option license	A0PD02F	bizhub C250i/C300i/C360i [and other MFP series]
LK-108 i-Option license	A0PD02G	bizhub C250i/C300i/C360i [and other MFP series]
LK-110v2 i-Option license	A0PD02U	bizhub C250i/C300i/C360i [and other MFP series]
LK-111 i-Option license	A0PD02K	bizhub C250i/C300i/C360i [and other MFP series]
LK-114 i-Option license	A0PD02P	bizhub C250i/C300i/C360i [and other MFP series]
LK-115v2 i-Option license	A0PD02V	bizhub C250i/C300i/C360i [and other MFP series]
LK-116 i-Option license	A0PDA21 *new	bizhub C250i/C300i/C360i bizhub C3350i/C4050i/C3320i
UK-221 Wireless LAN Access Point	ACDMWY1 *new	bizhub C250i/C300i/C360i bizhub C3350i/C4050i/C3320i/C3300i/C4000i
SX-BR-4600 Wireless LAN	9967002640	bizhub C250i/C300i/C360i [and other MFP series]
SP-501 Stamp unit	4614506	bizhub C250i/C300i/C360i [and other MFP series]
CONSUMABLES	ARTICLE NUMBER	COMPATIBILITY
TN-328K Toner	AAV8150 *new	bizhub C250i/C300i/C360i
TN-328C Toner	AAV8450 *new	bizhub C250i/C300i/C360i
TN-328M Toner	AAV8350 *new	bizhub C250i/C300i/C360i
TN-328Y Toner	AAV8250 *new	bizhub C250i/C300i/C360i
DR-316K Drum unit	AAV70RD *new	bizhub C250i/C300i/C360i
DR-316 C/M/Y Drum unit	AAV70TD *new	bizhub C250i/C300i/C360i

DV-315K Developer unit	AAV703D *new	bizhub C250i/C300i/C360i
DV-315C Developer unit	AAV70KD *new	bizhub C250i/C300i/C360i
DV-315M Developer unit	AAV70ED *new	bizhub C250i/C300i/C360i
DV-315Y Developer unit	AAV708D *new	bizhub C250i/C300i/C360i
WX-107 Waste toner box	AAVAWY1 *new	bizhub C250i/C300i/C360i
SK-602 Staple cartridge	14YK	FS-533/FS-536/SD-511/SD-512 [and other finishers]
Spare TX marker stamp 2	4614511	bizhub C250i/C300i/C360i [and other MFP series]
Key Counter Mount Kit 1	4623485	bizhub C250i/C300i/C360i [and other MFP series]

Documentation

FACE SHEETS	ARTICLE NUMBER	REMARKS
	Not available	Panel with no hard keys – facesheets are not required
LEGAL REQUIRED INFORMATION (LRI)	ARTICLE NUMBERS AND AVAILABILITY	
en	9961037100	✓
de	9961037101	✓
fr	9961037102	✓
es	9961037103	✓
it	9961037104	✓
pt	9961037105	✓
nl	9961037106	✓
da	9961037107	✓
sv	9961037108	✓
no	9961037109	✓
fi	9961037110	✓
el	9961037111	✓
tr	9961037113	✓
cs	9961037115	✓
hu	9961037118	✓
pl	9961037121	✓
ro	9961037122	✓
ru	9961037123	✓
sk	9961037124	✓

Driver DVD

DRIVER DVD	CONTENTS	REMARKS
Drivers	Windows Standard Printer drivers Windows PPD for Applications Windows Universal Printer drivers Windows TWAIN drivers Windows HDDTWAIN drivers Macintosh Standard Printer drivers Linux CUPS Printer Drivers	Driver DVD incl. manuals is packed to the LRI.
Utilities	Download Center Application Download Manager for Windows Download Manager for Macintosh Driver Packaging Utility Font Management Utility HDD Backup Utility Log Management Utility PageScope Box Operator PageScope Data Administrator PageScope Direct Print PageScope Net Care Device Manager PageScope Net Care Device Manager Plug-In Print Status Notifier	
Documentation	General Safety Information HTML User Guide Quick Guide Quick Reference Quick Reference (Legacy UI)	
USER'S GUIDE ONLINE	AVAILABILITY	
	en	✓
	de	✓
	fr	✓
	es	✓
	it	✓
ITRAININGS	https://itraining.konicaminolta.eu	

Recommended media

BRAND	FORMAT	GRAMMATURE	REMARK
PLAIN PAPER (Color)			
Konica Minolta Color+	A4 /A3	90 g/m2	KM Office Börse / local Mondi distributor
Konica Minolta Color+	A4/ A3	100 g/m2	KM Office Börse / local Mondi distributor
Konica Minolta Color+	A4/A3	120 g/m2	KM Office Börse / local Mondi distributor
Konica Minolta Color+	A4/A3	160 g/m2	KM Office Börse / local Mondi distributor
Konica Minolta Original	A4/A3	80 g/m2	KM Office Börse / local Mondi distributor
Mondi Color Copy	A4/A3/SRA3	90 g/m2	local Mondi distributor
Mondi Color Copy	A4/A3	100 g/m2	local Mondi distributor
Mondi Color Copy	A4/A3/SRA3	160 g/m2	local Mondi distributor
Mondi Color Copy	A4/A3/SRA3	200 g/m2	local Mondi distributor
Mondi Color Copy	A4/A3	250 g/m2	local Mondi distributor
Mondi Color Copy	A4/A3	300 g/m2	local Mondi distributor
Mondi MAESTRO extra	A4/A3	80 g/m2	local Mondi distributor
RECYCLING PAPER (Monochrome)			
Steinbeis ClassicWhite	A4/A3	80 g/m2	https://www.stp.de/en/office-paper/steinbeis-classicwhite/
BANNER PAPER			
Konica Minolta Banner Paper	1200 x 297mm	160 g/m2	9967000189 (250 sheets) 9967000224 (100 sheets)
TAB PAPER			
Konica Minolta Divider Cards	A4L	170 g/m2	9967000223 (50 sets, 5 cards each, 5 colours)

Appendix

Finisher accessories & combination

FINISHER	ACCESSORIES
Finisher FS-533	PK-519
Finisher FS-536/FS-536SD	PK-520

Overview finisher functionality

FUNCTIONALITY	FS-533	FS-536	FS-536SD
Capacity (80 g/m2)	500 sheets	3,300 sheets	3,300 sheets
Min./Max. paper weight	52/300 g/m2	52/300 g/m2	52/300 g/m2
Staple mode	Corner front/back, centre 2 points	Corner front/back, centre 2 points, saddle	Corner front/back, centre 2 points, saddle, booklet
Staple capacity	50 sheets	50 sheets	50 sheets
Max. Stapled sets capacity (A4)	---	100 sets	100 sets
Saddle stitch	---	no	yes
A3 size 10 sheet saddle stitched booklet capacity	---	10 sets	10 sets
Hole punching	yes (with PK-519)	yes (with PK-520)	yes (with PK-520)
Half-fold	no	no	yes
Z-fold	no	no	no
Tri-fold	no	no	yes
Post insertion	no	no	no

Paper weights and sizes to be used

SOURCE	CAPACITY (80 G/M2)	SIZE	WEIGHT (G/M2)
Tray 1	500 sheets	A5 – A3 Envelope	52 - 256
Tray 2	500 sheets	A5 – SRA3	52 – 256
Bypass	150 sheets	A6 – SRA3, Banner (297 x 1,200 mm)	60 – 300 (Banner 127 – 210)
Duplex	N/A	A5 – SRA3	52 - 256
PC-116	500 sheets	A5 – A3	52 - 256
PC-216	2x500 sheets	A5 – A3	52 - 256
PC-416	2,500 sheets	A4	52 - 256
LU-302	3,000 sheets	A4	52 - 256

Konica Minolta Applications

HDD Twain Driver	yes
Real Time Mode TWAIN Driver	yes
PageScope Direct Print	yes
PageScope Box Operator	yes
Print Status Notifier	yes
PageScope Data Administrator	yes
HDD Backup Utility	yes
Font Management Utility	yes
Log Management Utility	yes
Download Manager	yes
Driver Packaging Utility	yes
Print Utility for UNIX	yes
CS Remote Care	yes
bizhub Remote Panel	yes

Alternative panel on Android platform	yes
Panel Customization Tool	yes
License Install Utility	yes
PageScope Net Care Device Manager	yes
Device Plug-In for PageScope Enterprise Suite	yes

What is delivered with the machine?

	bizhub C250i	bizhub C300i	bizhub C360i
Document feeder		no (optional)	
Drum unit		yes (4 units)	
Developer unit		yes (4 units)	
Toner		no	
Original cover		no (optional)	
Copy tray / Output tray		yes (standard)	
Legal Required Information (LRI)		yes	
Face sheets		no	
Manual / Driver DVD		yes	

Konica Minolta Business Solutions UK Ltd
36 Miles Gray Rd,
Basildon
SS14 3AR

Tel: 01268 534444

www.konicaminolta.co.uk